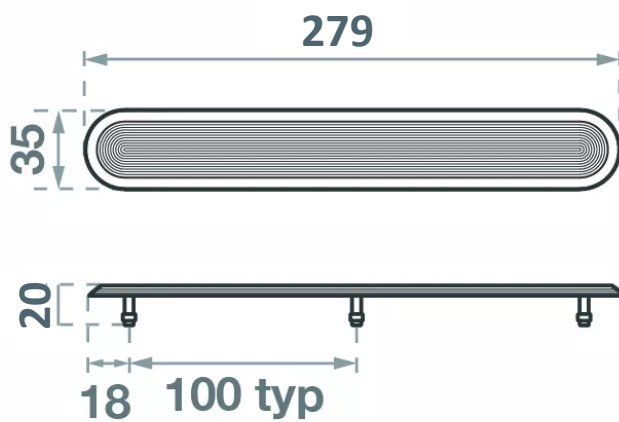


Brass Directional Bar

DBBRSSLNFN

Brass TGSi Individual Tactile Bar



The Brass range is a solution of style and class while remaining purposeful and functional. Ideal for retrofitting. Available in various styles that all allow the surrounding floor surface to show between the tactile indicators for an architecturally superior appearance.

Specification Guide

Install Tactile Ground Surface Indicator Bars (TGSi) DBBRSSLNFN to required areas as marked in accordance with manufacturer's recommendations, and the requirements of AS/NZS 1428.4.1-2009. TGSi's to be Tactiles with bevelled edges for safe direct surface installation.

Features

- Grooved lines on top only
- Plain sides
- Rear studs
- Sloped sides for safe transition

Application:

Interior and Exterior

Tactile Colours: Natural brass

