



DKR435

Aluminium Safety Stair Nosing for Surface Mount Applications

Contemporary appearance together with durability makes this range the preferred choice of many of today's specifiers. This range has now grown to include a greater choice of styles to suit a wider variety of substrates. Make your staircase safer and smart looking with these highly slip-resistant carborundum insert stair nosings. Suitable for both internal and external applications.

Specification Guide

Install DKR435 stairs as required in accordance with manufacturer's recommendations and the requirements of NZS 4121 and AS/NZS 1428.4.1-2009. Available from: Total Tactilez, 0800 822 845, info@totaltactilez.co.nz

Features

- Interior and exterior use
- Ramped back, short raked front
- Grit insert
- Pre-drilled and countersunk

Application:

Surface mount

Length:

5850mm
(Cut-to-length service available)

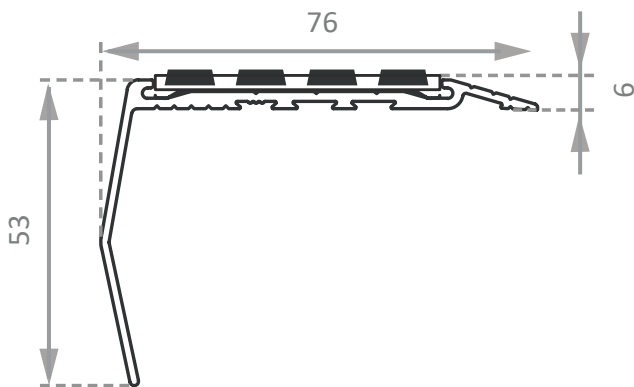
Insert Colours: Black/Natural, Yellow/Natural, White/Natural, Black/Black



Aluminium Colours: Natural (standard), Black



Upon request: Bronze, Saffron, Gold



P5 High Slip Resistance Stair Nosings
Up to P5 high Slip Resistance

5 Year Warranty

 Installation Services Available

 classic architectural group

 TOTAL TACTILEZ Innovative Solution Providers

CMT GROUP

www.cmtgroup.co.nz | 0800 147 433 | info@cmtgroup.co.nz
 NZ Head Office: 12 Taylor Pass Road, Witherlea, Blenheim 7201
 Auckland Depot: 62 Tidal Road, Mangere, Auckland 2022
 Christchurch Depot: 101 Sturrocks Road, Casebrook, Christchurch 8051